

LW008-MTE



MOKO SMART

Small-sized LoRaWAN Tracker



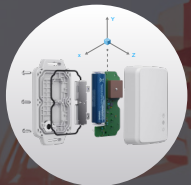
Multiple installation options



Long wireless transmission distance



High durability and impact resistance



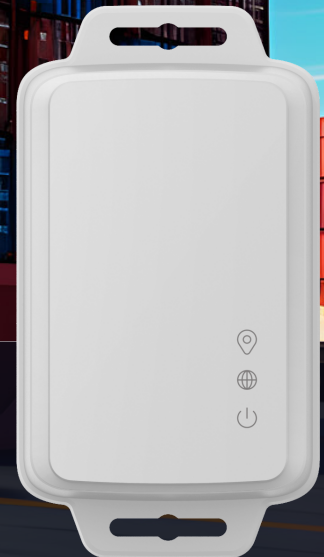
Built-in accelerometer



Multiple working mode



IP67 rating



LoRaWAN Tracker

Compact Size Easy Tracking

LW008-MTE is a small size LoRaWAN tracker, incorporating both GPS and Bluetooth positioning technologies, making it versatile for both indoor and outdoor location tracking applications.

Its compact design allows for the tracking of smaller vehicles and assets that traditional trackers might struggle with. This includes, but is not limited to tracking valuable small assets, shared balance bikes, and shared bicycles, providing unparalleled convenience and accuracy in a wide range of scenarios.

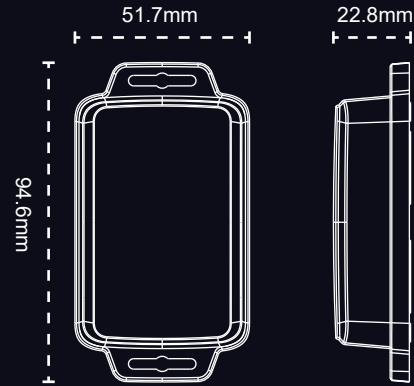
LW008-MTE

Small-sized LoRaWAN Tracker

Application Scenarios



Small Vehicle Tracking



Warehouse Management



Industrial Asset Tracking

Categories	Parameter	Value
LoRa Wireless Specification	LoRa Protocol	LoRaWAN V1.0.4
	Lora Frequency	EU868/AU915/US915/AS923/IN865/KR920/-RU864/AS923-1/AS923-2/AS923-3/AS923-4
	Tx Power	Max 22dBm
	Sensitivity	-137dBm@SF12
	LoRa Communication Distance	Up to 7 km (in urban open space)
BLE Wireless Specification	Bluetooth® (BLE)	4.2
	TX Power	Max 4 dBm
	BLE Broadcast Distance	Up to 50m in free space
	BLE Scan Distance (1M PHY)	Up to 150m in free space
Power Supply	Power Supply	2600 mAh battery
	Protection level	IP67
Physical Specification	Dimension	51.6mm×94.6mm×22.8mm
	Weight	84.5g
	Power Switch	Hall Sensor
Application Specification	Operation Temperature/ Storage Temperature	-20°C ~ 60°C
	Operation Humidity	10%~90%
	Certification	1CE/FCC/Reach/RoHS pending approval