



Powerful Protection Long-Lasting Safety

B2R Smart Badge



The B2R is a smart badge integrating ID card slot with BLE communication in a compact design. With 4 replaceable coin batteries, the badge will reach a lifespan to five years. Featuring an enlarged SOS button and IP66 waterproof rating, B2R is ideal for safeguarding personnel safety in various environments, including construction sites, hotels, healthcare facilities, and more. Moreover, B2R is equipped with buzzers and LED notifications to enable immediate alerts and location-based services, like geo-fencing, access control, etc.

Features



Pull-out IC card slot



IP66 waterproof



Replaceable battery



Buzzer notification



Supports RFID/NFC

Application scenarios



Hotel



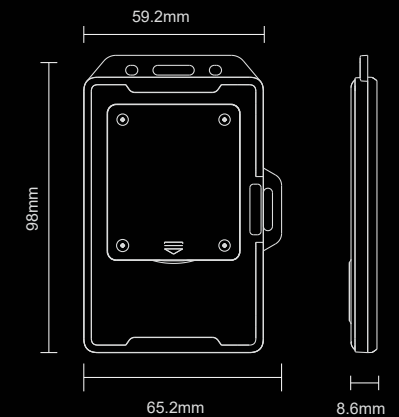
Hospital



School

General Specifications

Connectivity	BLE 5.0
Dimensions (mm)	98.0*65.2*8.6
Weight	36g
Color	Body - White Button - Red
Material	PC
IP rating	IP66
Sensor	Accelerometer
LED	Red
Buzzer	Supported
FRID/NFC	Supported
Battery capacity	880mAh Replaceable battery
Battery lifespan	5 years*
Operating temperature	-20°C/60°C
Transmission range	Up to 150m (Without any obstacles)
Installation	Lanyard
Suitable card size	CR80 IC card
Certification	FCC CE RoHS WEEE



*Battery lifespan estimates are based on the default settings without any sensors under 25 C conditions – 1 active slot, 1000ms ADV interval and 0dBm Tx Power.