



MOKO SMART

Track Light, Track Right

UT1 Ultra-thin Paper Tag



The UT1 Ultra-thin Paper Tag is an eco-friendly BLE asset tag with a flexible and ultra-thin design, incorporating a zinc-based environmentally friendly battery. It boasts an IP67 waterproof rating, ensuring durability and versatility. With dimensions of 67.3mm x 58.0mm x 2.3mm and a weight of just 5g (including the battery), it's a lightweight and eco-friendly choice. UT1 offers a versatile and durable solution for your tracking needs.



Flexible and ultra-thin design



Zinc-based environmentally friendly battery



IP67 waterproof



Optional NFC Power-on Function



Cost-effective

Application



Warehouse



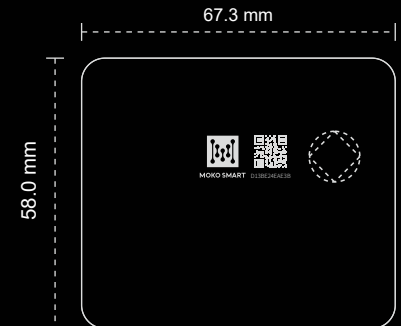
Logistics



Smart Office

General Specs

Connectivity:	BLE 5.1
Dimensions:	67.3mm×58.0mm×2.3mm
Weight:	5g (Battery included)
Material:	Synthetic paper
Color:	White
IP rating:	IP67
Bluetooth range:	220m (open area)
Battery:	Environmentally-friendly Zn-Mn coated disposable paper battery, 45mAh (1.5V)
Battery lifespan:	1.5 years (Default settings*)
Operating temperature:	-20°C / +55°C
Installation:	Sticker
Certification:	FCC CE RoHS REACH



Default settings*:

· SLOT1 -- NanoBeacon; 1000ms interval; 0dBm; Continuous broadcast mode

· SLOT2 -- NanoBeacon; 1000ms interval; 0dBm; Button trigger mode